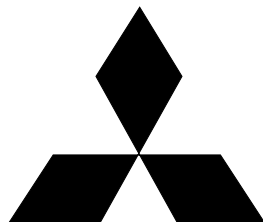
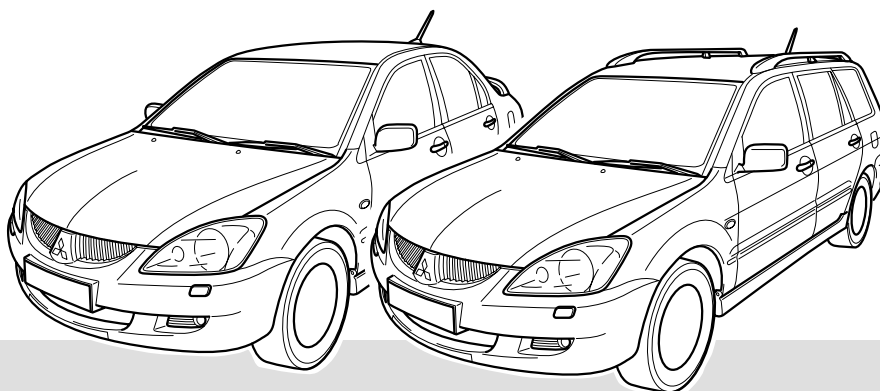


PRELIMINARY REV. 01



**MITSUBISHI  
MOTORS**



**LANCER** MME31546

**MANUALE D'INSTALLAZIONE**  
***FITTING INSTRUCTIONS***  
**MANUAL DE INSTALACION**  
***EINBAUANLEITUNG***  
**MANUAL DE INSTALAÇÃO**  
***HANDLEIDING VOOR INSTALLATIE***  
**MANUAL DEL USUARIO**  
**ИНСТРУКЦИЯ ПО МОНТАЖ**



PRELIMINARY REV. 01

---

---

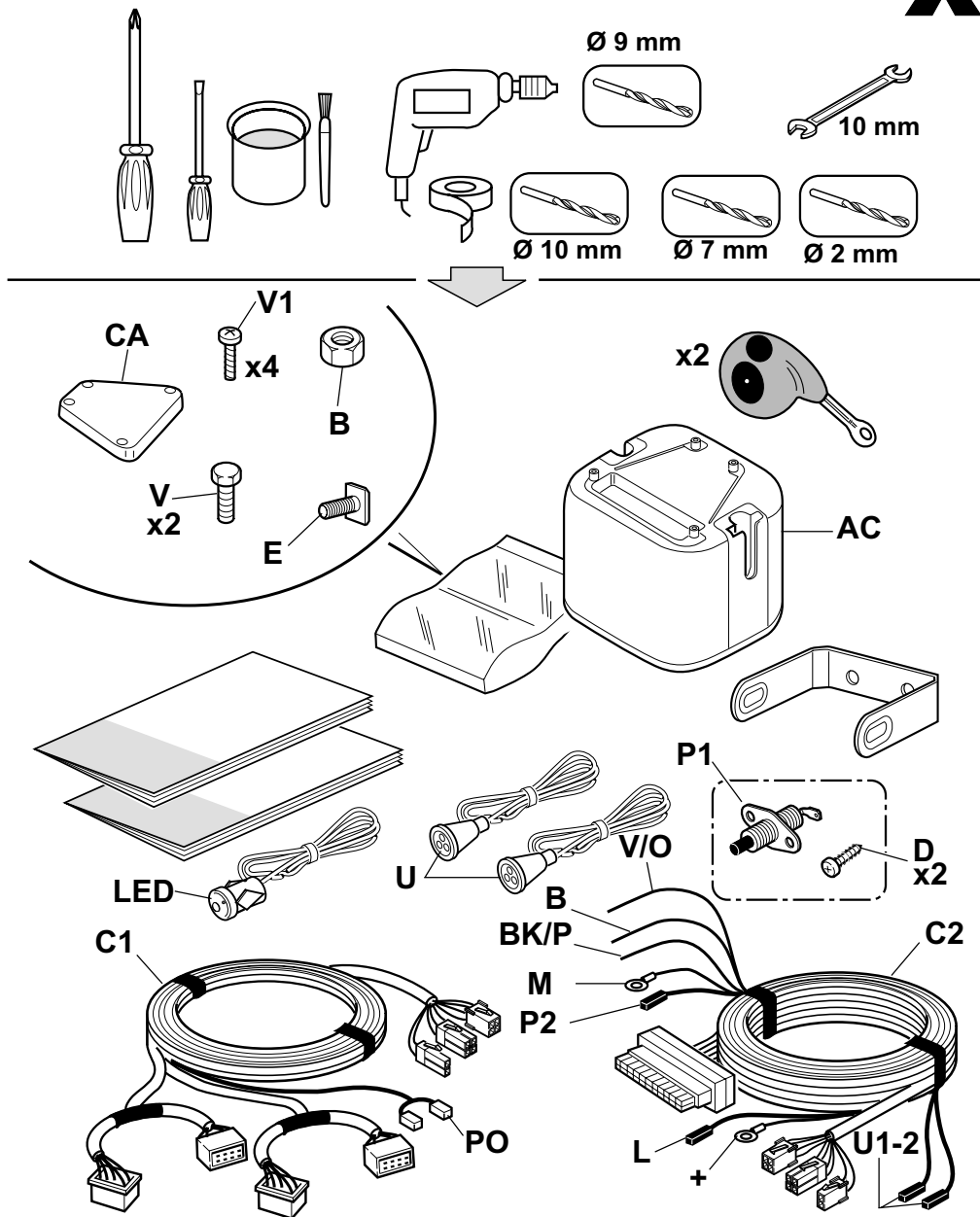
MME31546 - 2 - LANCER - A

06DE2161A-LANCER.p65

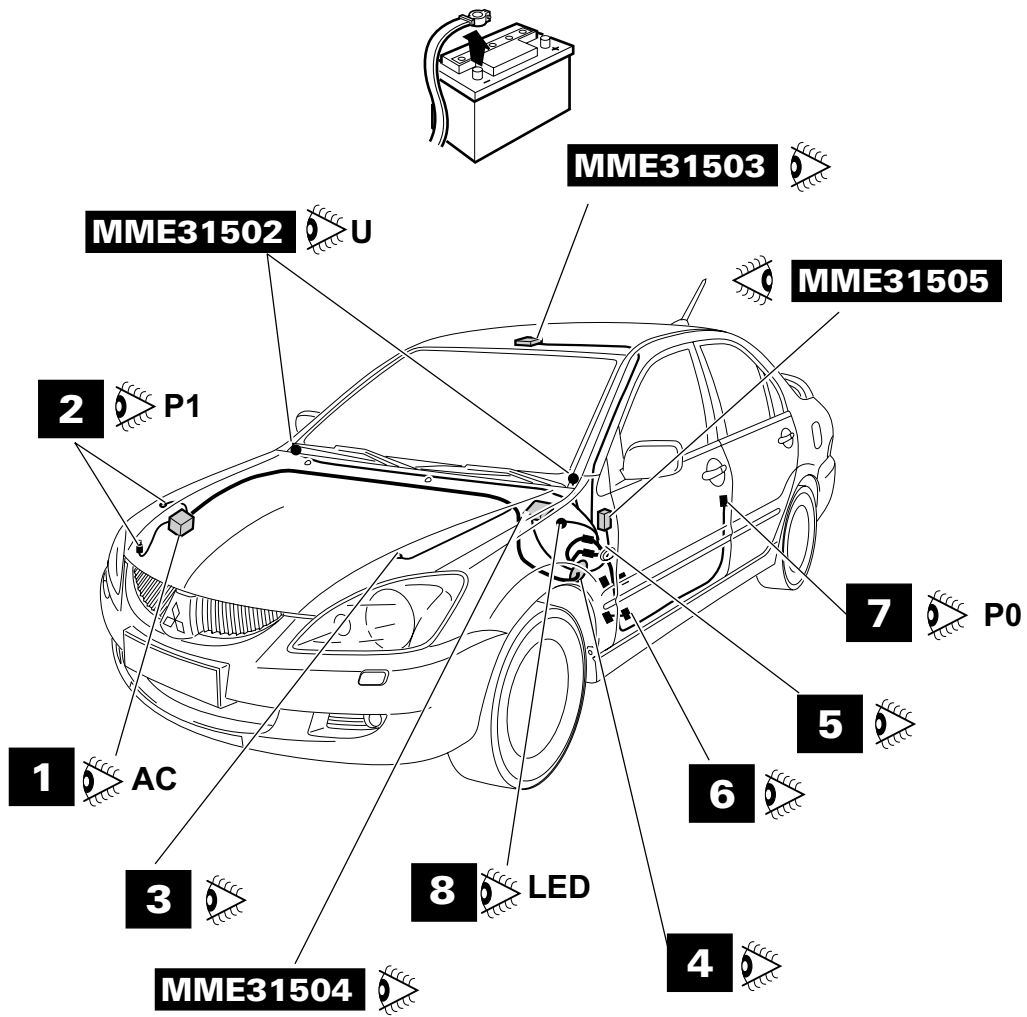
2

14-10-2005, 14:51

PRELIMINARY REV. 01

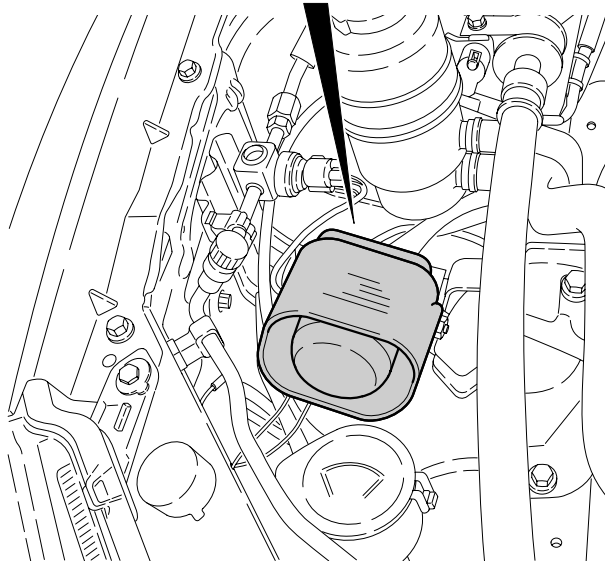
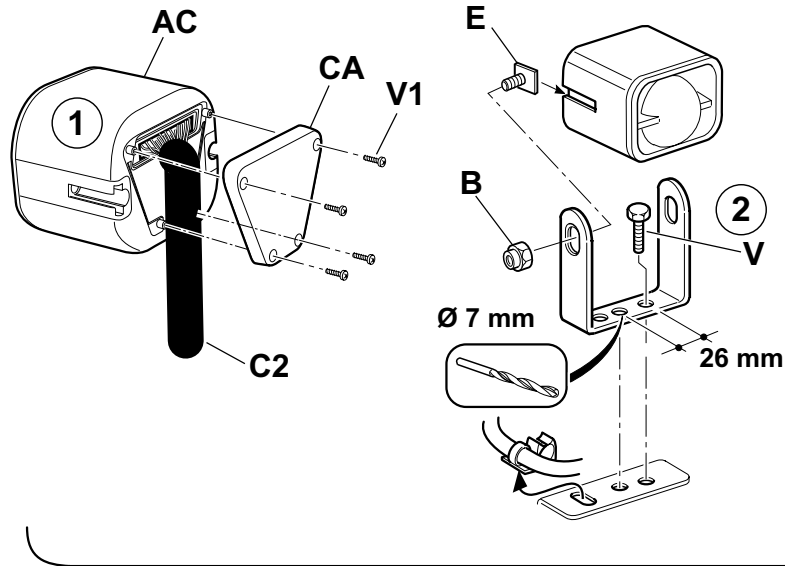


MME31546 - 3 - LANCER - A



MME31546 - 4 - LANCER - A

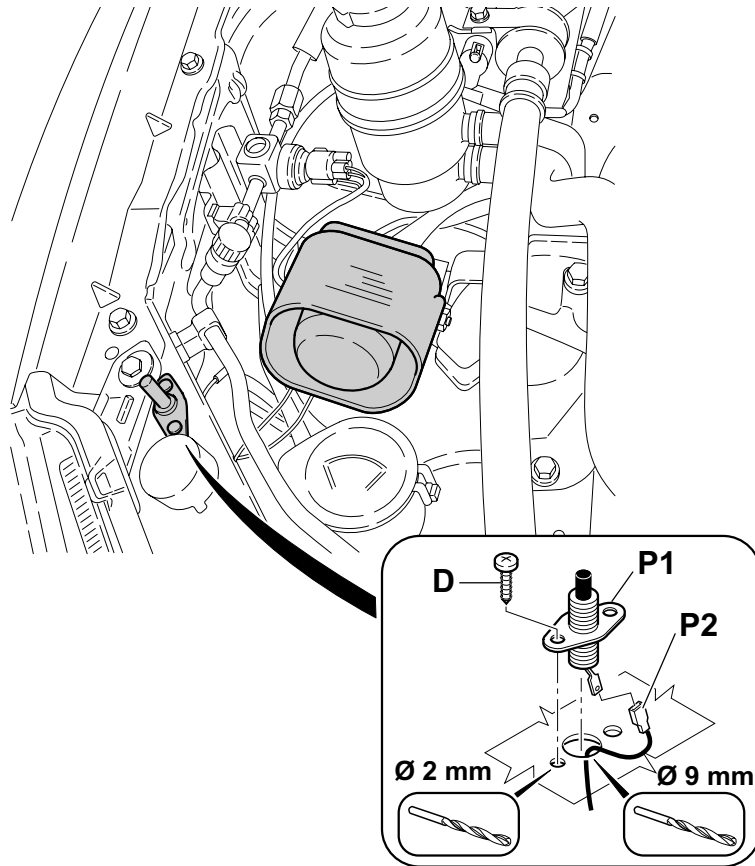
PRELIMINARY REV. 01

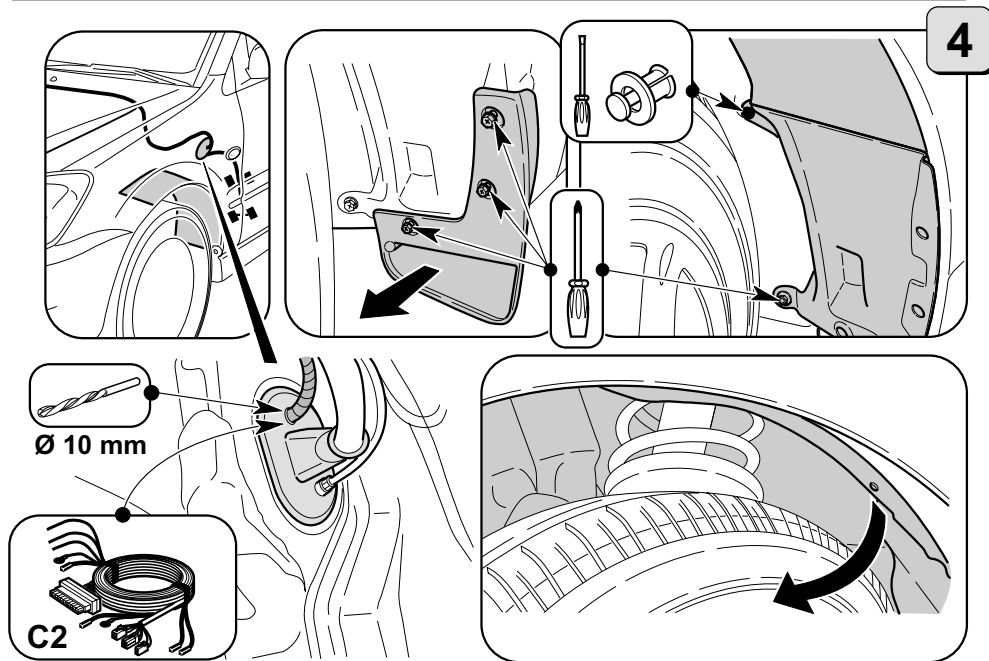
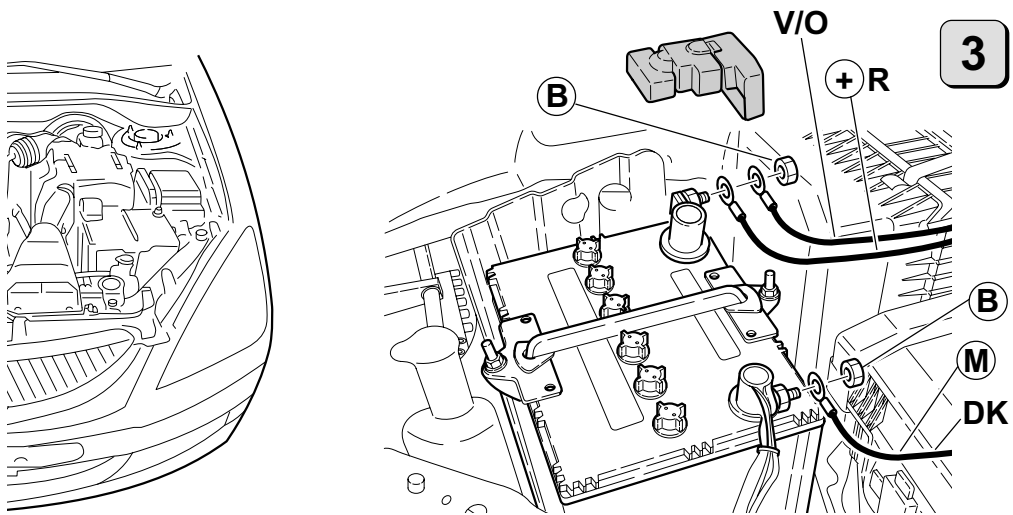


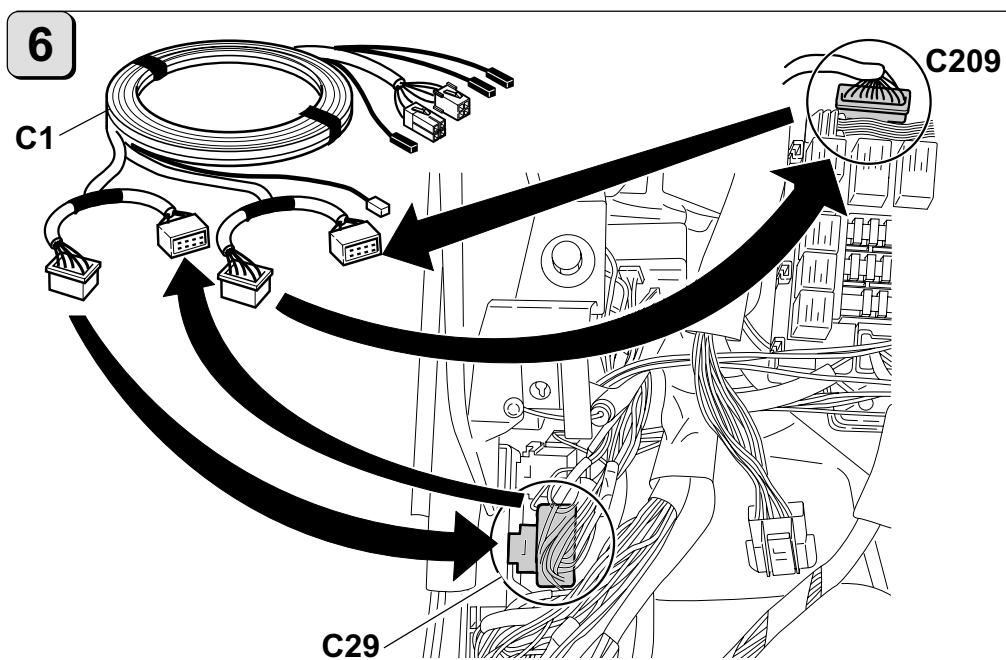
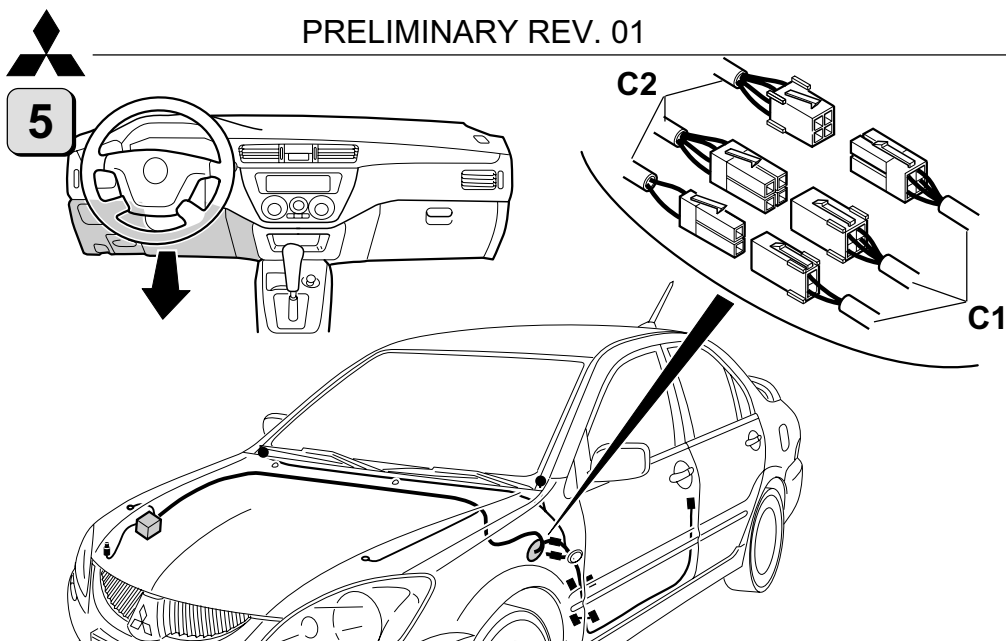
MME31546 - 5 - LANCER - A



2

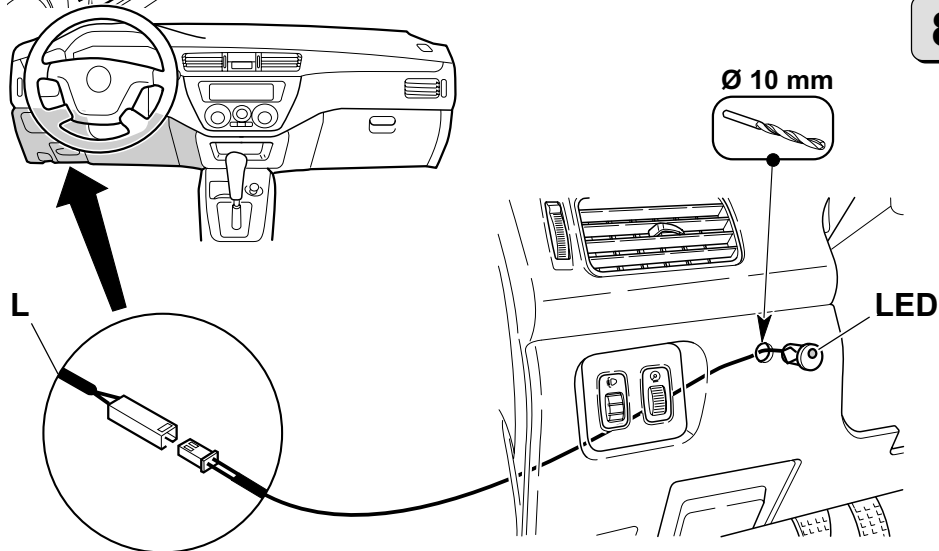
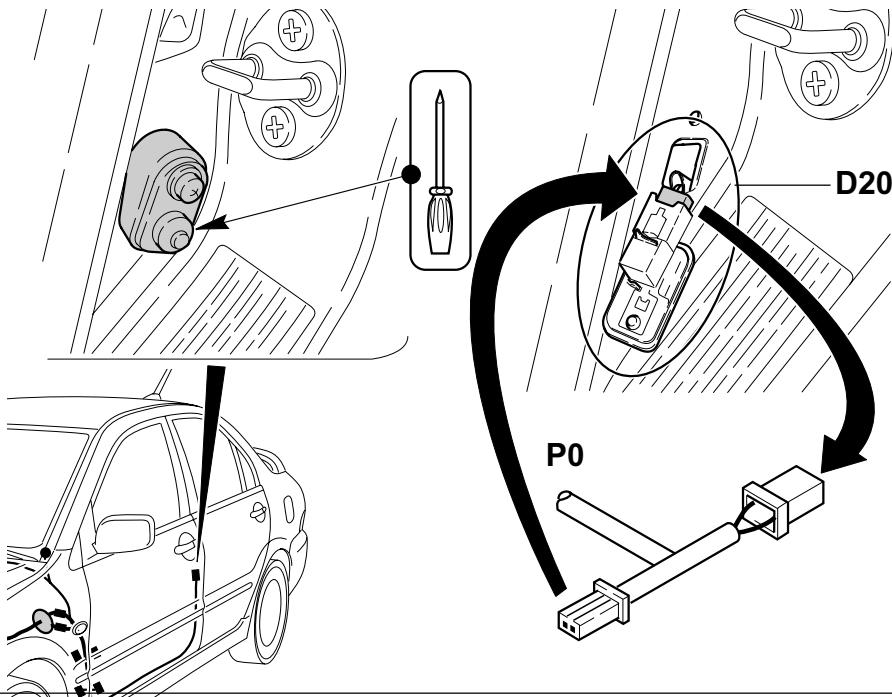






MME31546 - 8 - LANCER - A

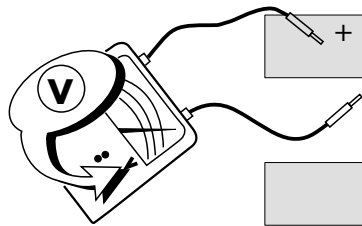




MME31546 - 9 - LANCER - A



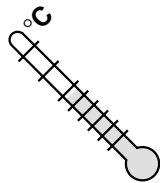
10



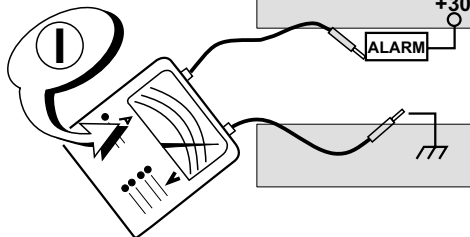
$V_N = 12 \text{ V DC}$

$V_{MIN} = 9 \text{ V DC}$

$V_{MAX} = 16 \text{ V DC}$



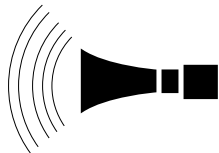
$T = -40 \div 105^\circ\text{C}$



$I_{OFF} < 6 \text{ mA}$

$I_{ON} < 9 \text{ mA}$

$I_{ALARM} < 1\text{A}$



$> 116 \text{ dBA (d = 1m)}$



Commission Directive 95/56/EC of 8 November 1995  
Commission Directive 95/54/EC of 31 October 1995

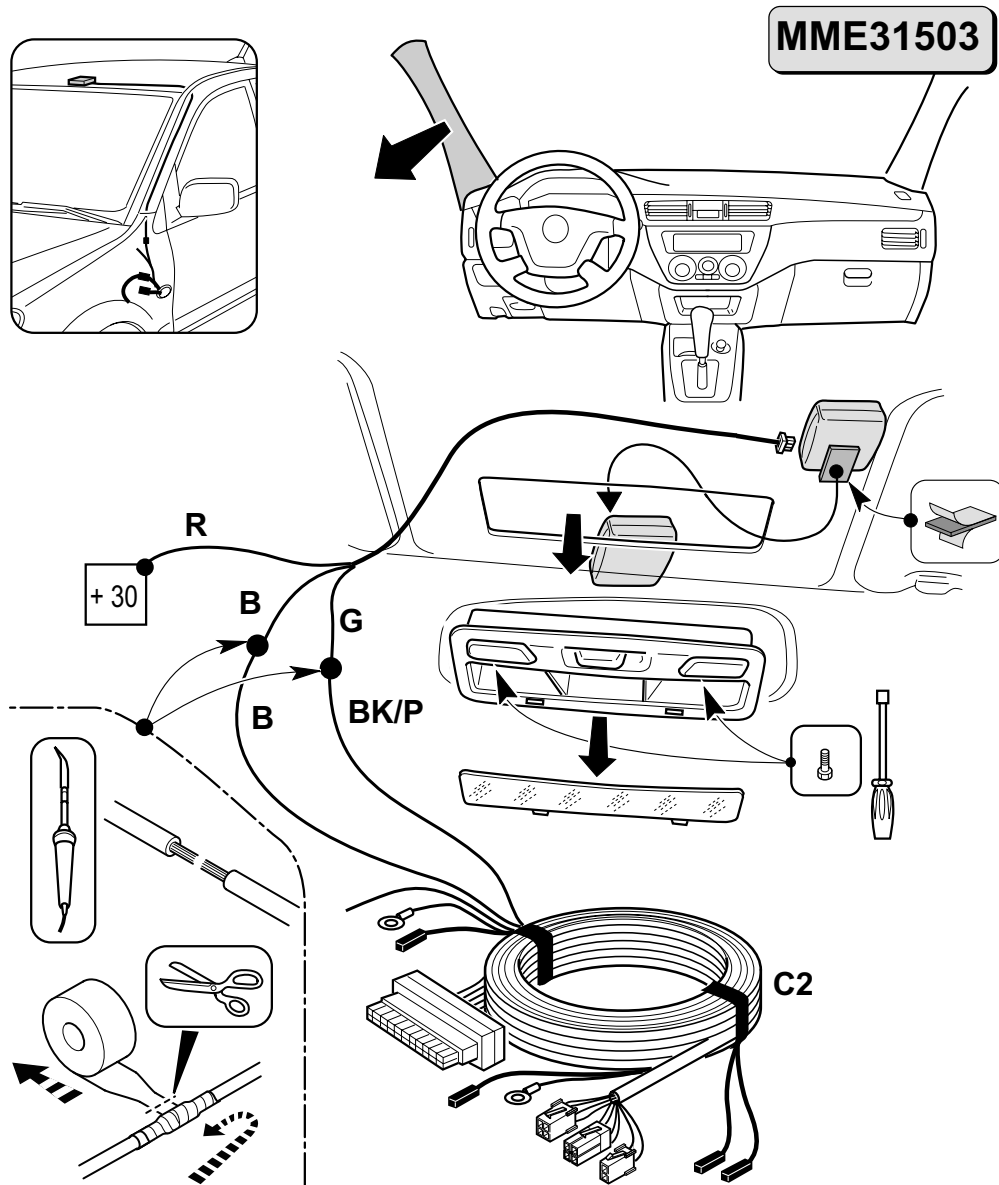


**OPZIONALE - OPTIONAL - OPTIONNEL - OPTIONAL - OPCIONAL -  
OPTIONEEL - OPCIONAL**

ПО ДОПОЛНИТЕЛЬНОМУ ЗАКАЗУ

	(I)	(GB)	(F)	(D)
<b>BK</b>	Nero	Black	Noir	Schwarz
<b>B</b>	Marrone	Brown	Marron	Braun
<b>BK/P</b>	Nero/rosa	Black/pink	Noir/rose	Schwarz/rosa
<b>G</b>	Grigio	Grey	Gris	Grau
<b>R</b>	Rosso	Red	Rouge	Rot
<b>GR</b>	Verde	Green	Vert	Grün
<b>V/O</b>	Viola/arancio	Violet/orange	Violet/orange	Violett/orange

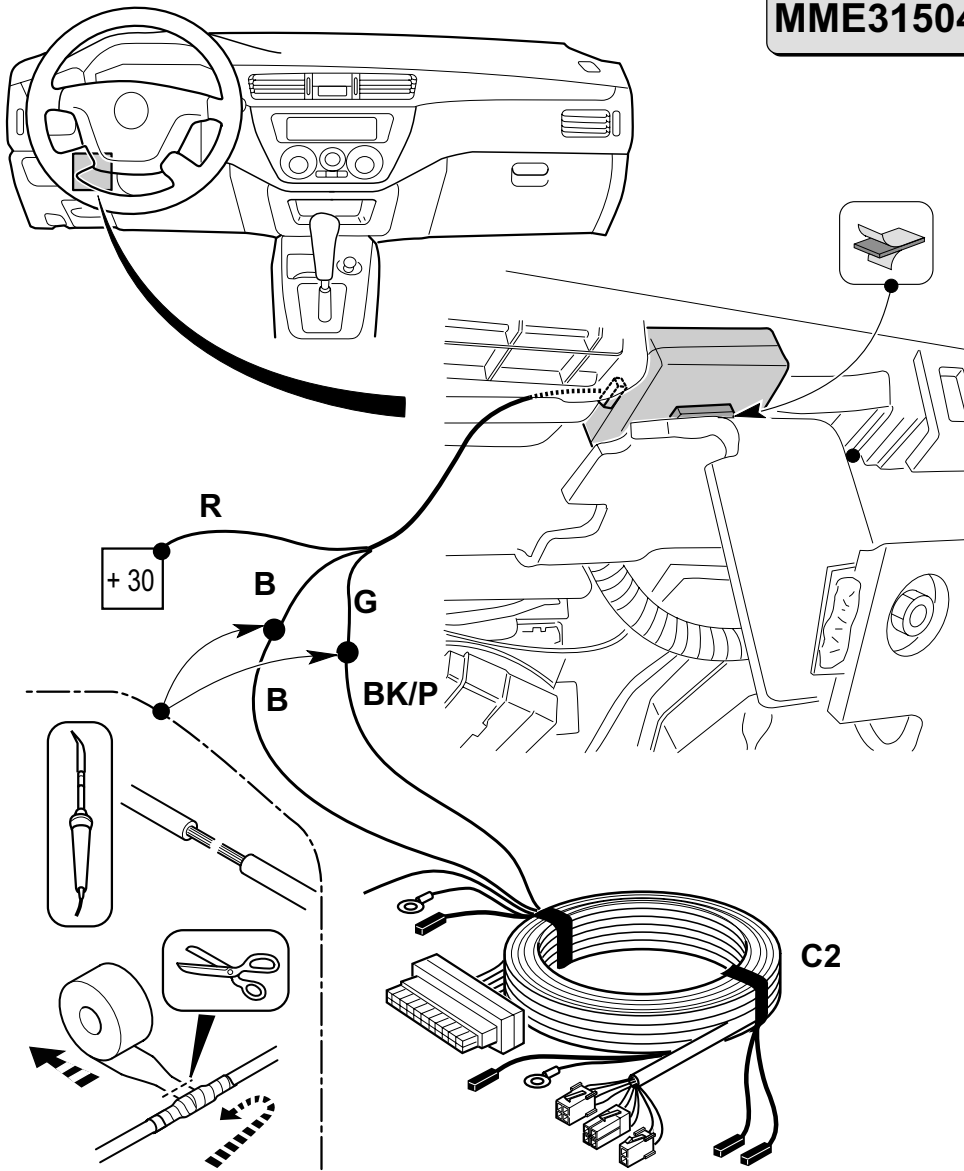
	(P)	(NL)	(E)	(RUS)
<b>BK</b>	Preto	Zwart	Negro	ЧЕРНЫЙ
<b>B</b>	Castanho	Bruin	Marron	КОРИЧНЕВЫЙ
<b>BK/P</b>	Preto/rosa	Zwart/roze	Negro/rosa	ЧЕРНЫЙ/РОЗОВЫЙ
<b>G</b>	Cinzento	Grijs	Gris	СЕРЫЙ
<b>R</b>	Vermelho	Rood	Rojo	КРАСНЫЙ
<b>GR</b>	Verde	Groen	Verde	ЗЕЛЕНый
<b>V/O</b>	Violeta/laranja	Paars/oranje	Violeta/anaranjado	ФИОЛЕТОВЫЙ/ ОРАНЖЕВЫЙ



MME31546 - 12 - LANCER - A



**MME31504**

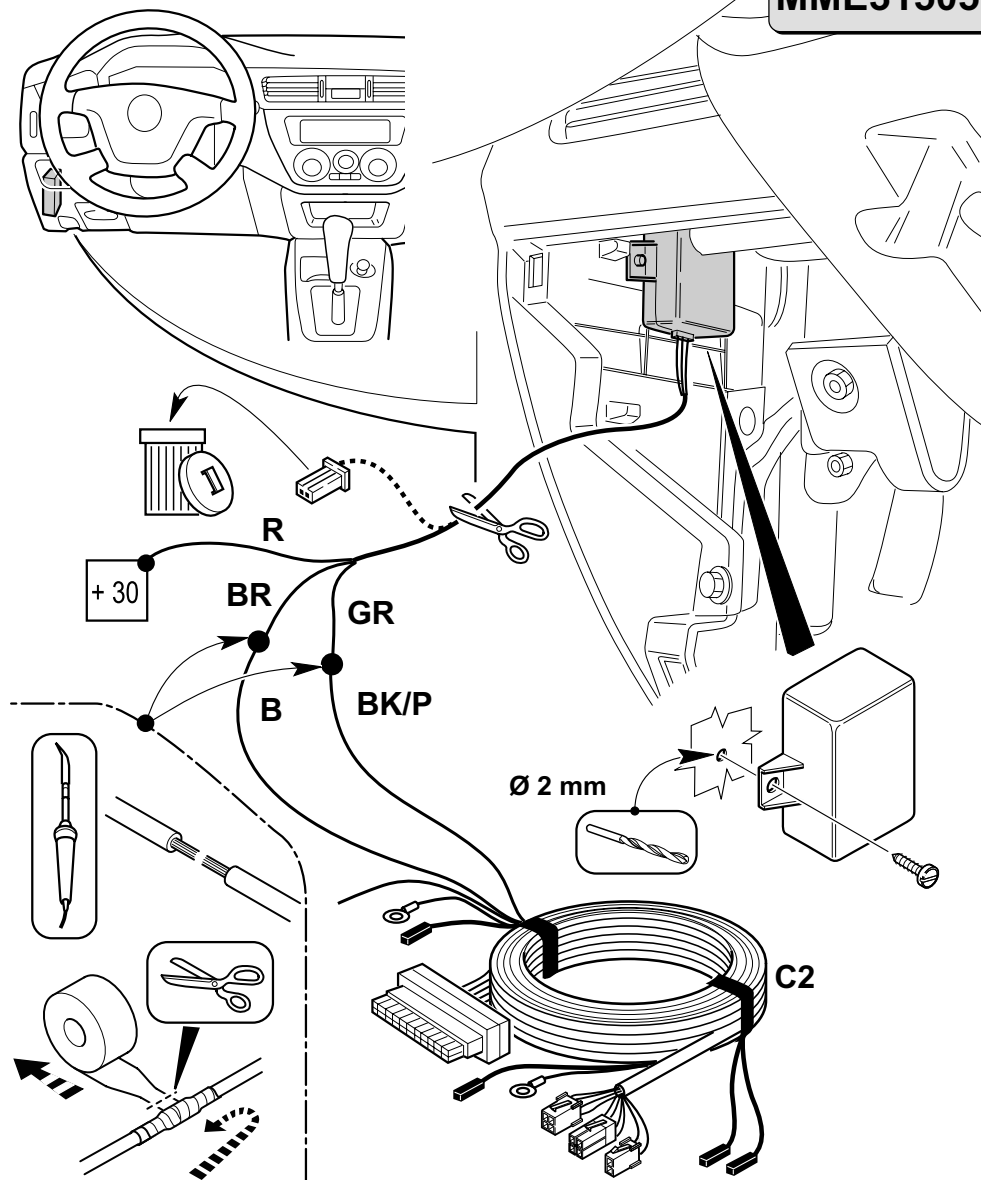


MME31546 - 13 - LANCER - A



PRELIMINARY REV. 01

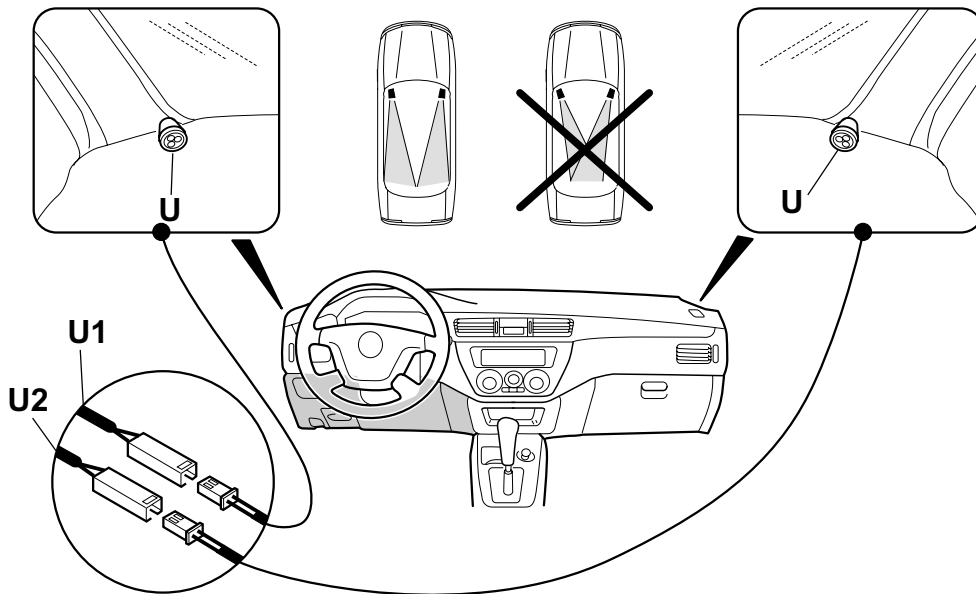
**MME31505**



MME31546 - 14 - LANCER - A



**MME31502**



PRELIMINARY REV. 01



Printed in Italy  
Cod. 06DE2161A date 10/2005